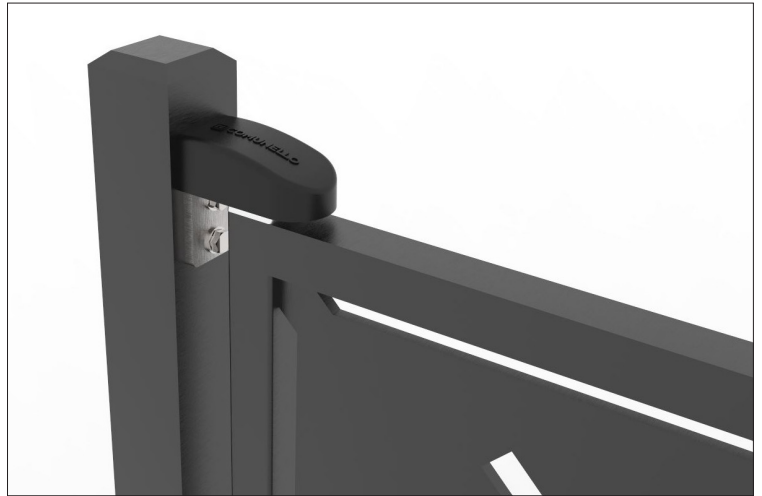
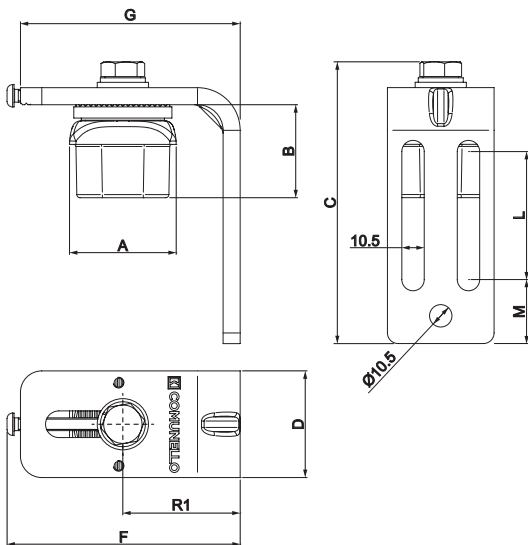


**85L Top Hinge**  
for Aluminium Gates



85L-40-AL	40mm top hinge for aluminium
85L-50-AL	50mm top hinge for aluminium
85L-65-AL	65mm top hinge for aluminium
83-CR-4050	Cover for 40 & 50mm hinges
83-CR-65	Cover for 65mm hinge



Art.	Code	A mm	B mm	C mm	D mm	R1	F mm	G mm	L mm	M mm	Kg
85L-40.AL	10801611 001	40	36	132	50	55-85	109,3	103	60	30	1,91
85L-50.AL	10801612 001	50	43,5	132	50	55-85	109,3	103	60	30	2,162
85L-65.AL	10801613 001	65	58	150	65	68-100	125	125	70	28	2,374

**EN**

USE: Adjustable hinge for swing gates with square tubular.

TYPE: Upper hinge with bearing

FIXING: To fixing to the pillar. The support enables hinge adjustment even after installation.

MATERIAL: iron body, aluminum tubular joint.

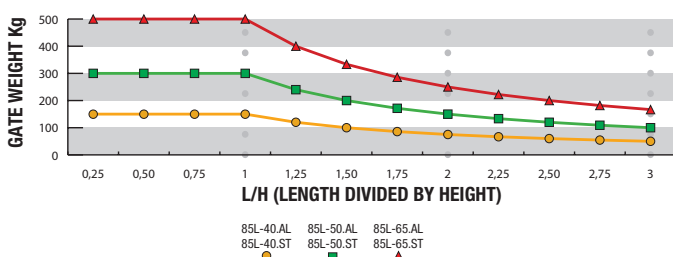
RECYCLING: Disposal as ferrous material in accordance with the current laws in the country of installation.

PARTS SUBJECT TO WEAR: Bearing.

IMPORTANT: The manufacturer reserves the right to modify the characteristics of the product as required without notice. The manufacturer declines any liability for even partial modifications to the product, and the declared performance values are valid only if the installation procedures are carried out by qualified personnel.

TECHNICAL CHARACTERISTICS				
	85L-40.AL	85L-50.AL	85L-65.AL	
WEIGHT OF PART	0,955 Kg	1,081 Kg	1,857 Kg	
LOAD-BEARING CAPACITY (P) L/H=1	150 Kg (with bottom hinge 87L-M)	300 Kg (with bottom hinge 87L-50.AL)	500 Kg (with bottom hinge 87L-65.AL)	
MAINTENANCE FREQUENCY				
PRIVATE HOME	BUSINESS	WAREHOUSE	CONDOMINIUM <20 UNITS	CONDOMINIUM > 20 UNITS
1 YEAR *	1 YEAR *	1 YEAR *	6 MONTHS *	6 MONTHS *
Check hinge wear. Check tightening of upper screws.				
Check fixing of plugs. Check welds and horizontality of sash.				
*The scheme refers to a normal workplace (not marine or particularly aggressive environments).				

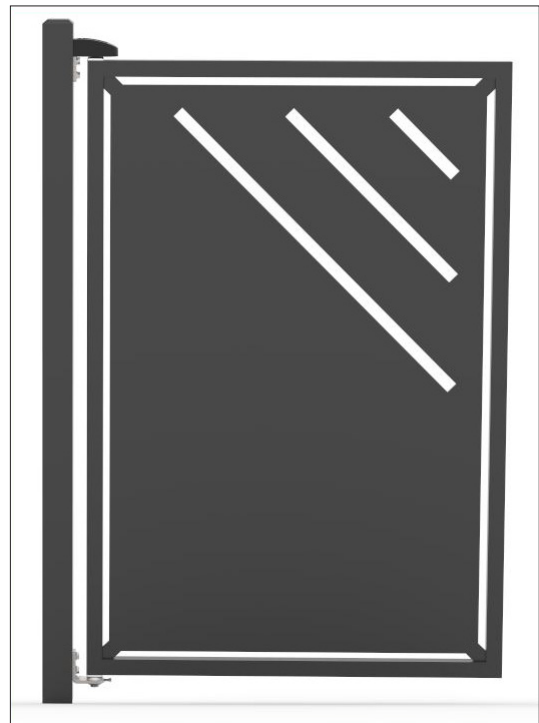
**LOAD ACCORDING TO GATE'S DIMENSIONS**



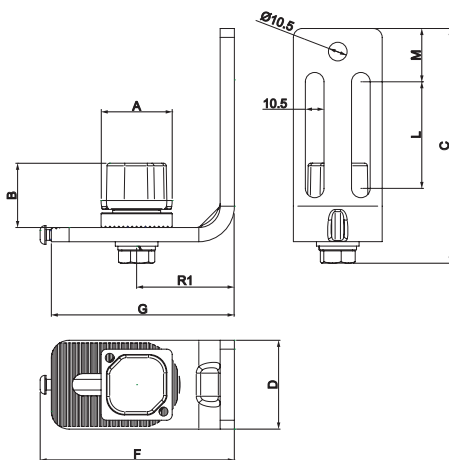
Compatible with:  
87L Bottom Hinge  
for Aluminium Gates



## 87L Bottom Hinge for Aluminium Gates

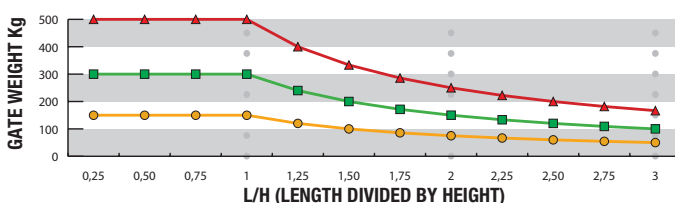


87L-40-AL	40mm bottom hinge for aluminium
87L-50-AL	50mm bottom hinge for aluminium
87L-65-AL	65mm bottom hinge for aluminium



Art.	Code	A mm	B mm	C mm	D mm	R1	F mm	G mm	L mm	M mm	Kg	
87L-40.AL	040 10801311 001	40	36	132	50	55-85	109,3	103	60	30	2	1,5
87L-50.AL	050 10801312 001	50	52	132	50	55-85	109,3	103	60	30	2	1,972
87L-65.AL	065 10801313 001	65	64	150	65	68-100	134,5	125	70	28	2	3,718

LOAD ACCORDING TO GATE'S DIMENSIONS



### EN

USE: Adjustable hinge for swing gates with square tubular.

TYPE: Bottom hinge with bearing

FIXING: To fixing to the pillar. The support enables hinge adjustment even after installation.

MATERIAL: iron body, aluminum tubular joint.

RECYCLING: Disposal as ferrous material in accordance with the current laws in the country of installation.

PARTS SUBJECT TO WEAR: Bearing.

IMPORTANT: The manufacturer reserves the right to modify the characteristics of the product as required without notice. The manufacturer declines any liability for even partial modifications to the product, and the declared performance values are valid only if the installation procedures are carried out by qualified personnel.

TECHNICAL CHARACTERISTICS				
	87L-40.AL	87L-50.AL	87L-65.AL	
WEIGHT OF PART	0,749 Kg	0,986 Kg	1,859 Kg	
LOAD-BEARING CAPACITY (P) L/H=1	150 Kg (with upper hinge 85L-40.AL)	300 Kg (with upper hinge 85L-50.AL)	500 Kg (with upper hinge 85L-65.AL)	
MAINTENANCE FREQUENCY				
PRIVATE HOME	BUSINESS	WAREHOUSE	CONDOMINIUM <20 UNITS	CONDOMINIUM > 20 UNITS
1 YEAR *	1 YEAR *	1 YEAR *	6 MONTHS *	6 MONTHS *
Check hinge wear. Check tightening of upper screws.				
Check fixing of plugs. Check welds and horizontality of sash.				
*The scheme refers to a normal workplace (not marine or particularly aggressive environments).				



Compatible with:  
85L Top Hinge  
for Aluminium Gates