

STING

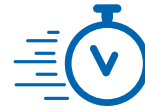
Electromechanical automation for sliding gates
up to 3m - 400 kg



For residential and
collective usage



Available in 24V



#fastasyoulike!
STING BOOST
gate opening at 90° in 9"



STING BOOST



Quick unlocking with customized metal key



Get rid of ground stops by using the **mechanical stops** (optionals)

Robust and reliable operator, in one-piece body
Gate opening up to 110 °

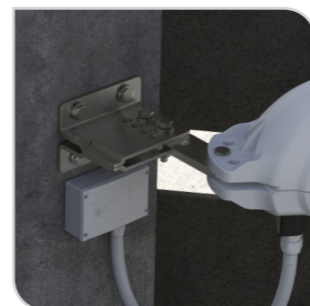


No risk of gate block in case of blackout thanks to the **backup batteries** (optional) that can be installed on 24V models

The DE@NET universal control units make this engine **compatible with NETLINK** System.



Very adaptable during installation, thanks to the adjustable **fixing plates** (optional - art. MLS/SFR)



Fast maneuvering with **STING BOOST**: the new 24V model of the STING range with a minimum opening time of 90 ° in 9 seconds. Available in **kit**.



STING BOOST

Opening time about 90 °

9"

Note: the opening time may increase depending on the characteristics of the installation

KIT

Sting Boost Single Gate (Includes two remotes)
 Sting Boost Double Gate (Includes two remotes)

CODE

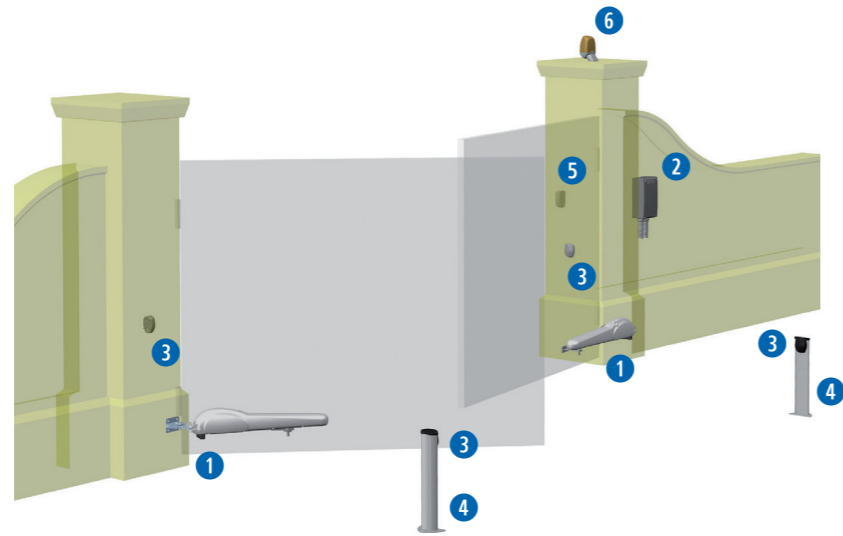
STINGBOOST-SINGLE
 STINGBOOST-DOUBLE

Technical info

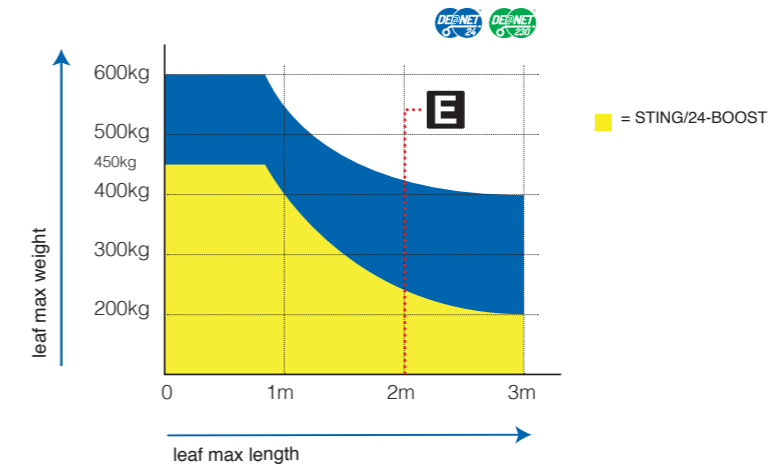
TECHNICAL INFO	STING-BOOST
Motor power supply (V)	24V ~
Maximum power absorption (W)	85
Max thrust (N)	1000
Time with total stroke (s)	9
90° Opening time (s)*	9
Duty cycle (cycles/hours)	40
N. max cycles in 24h	90
Operating temperature (°C)	-20 ÷ 50
Sound pressure (dBA)	< 70
Protection level	IPX4

*the opening time of the leaf at 90° may be lower accordingly to the geometry of the installation

Example of a typical installation



Guide to use

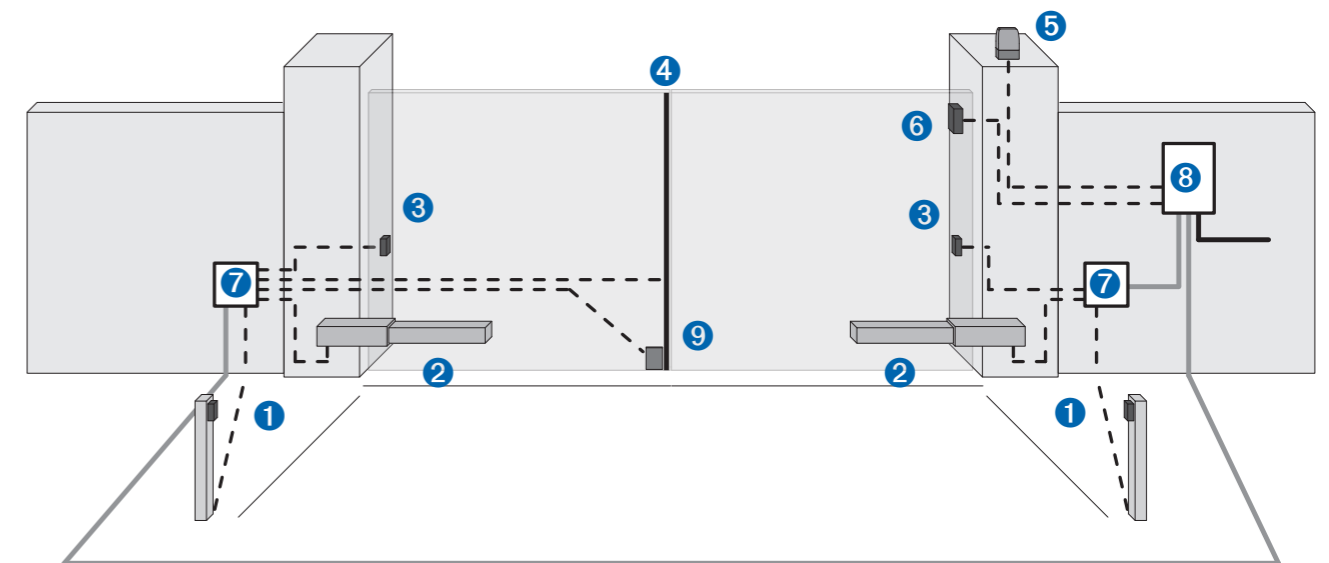


If the leaf length is bigger than 2m or if you use reversible models you must install the electric-lock to block the gate in closed position. The height and the leaf structure, as well as the presence of strong wind, can cause the reduction of the value of the data contained in table or make it necessary to use an electric lock also for leaves shorter than 2m.

Generic accessories



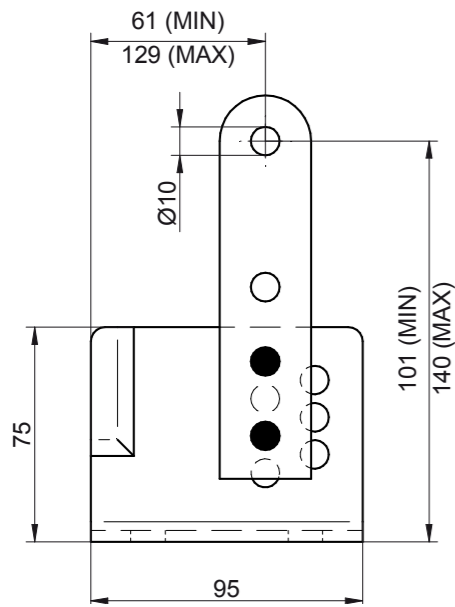
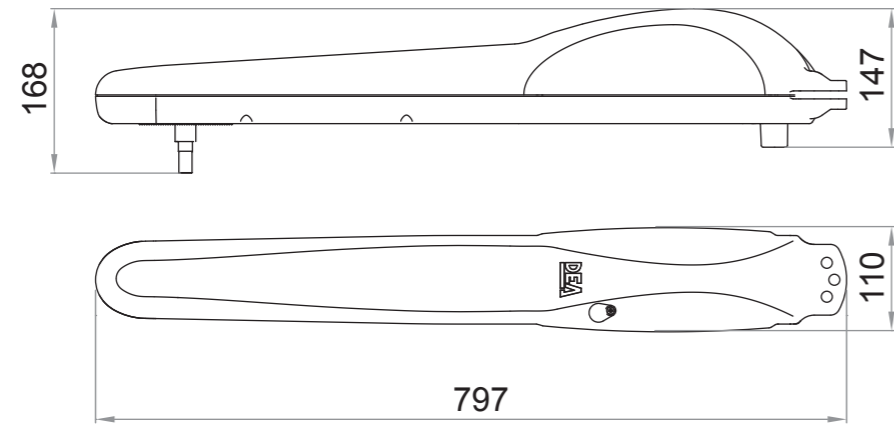
Wiring



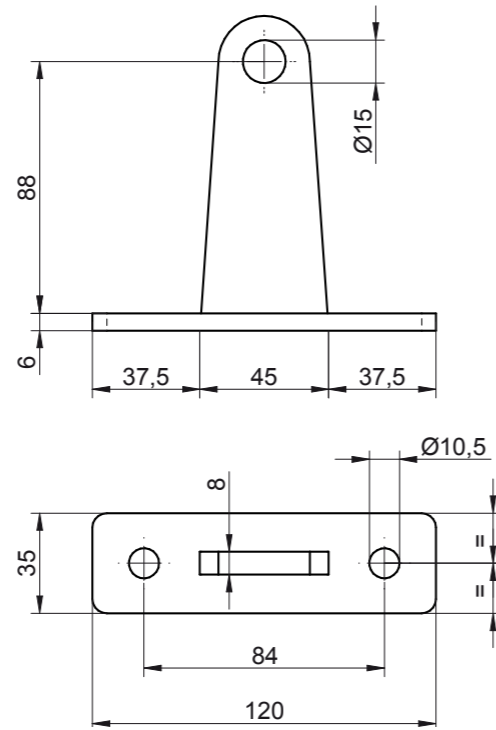
— Corrugated pipe for power supply cable
 — Ø40 corrugated pipe for connection between the control board and the junction box
 - - - Ø20 corrugated pipe or external PVC conduit for connection between the control board and the command and safety accessories

pos.	description
1	Column with photocells
2	Operator
3	Photocells
4	Safety edge
5	Flashing light
6	Key switch/Keypad
7	Junction box
8	Control board
9	Electric-lock

Dimensions

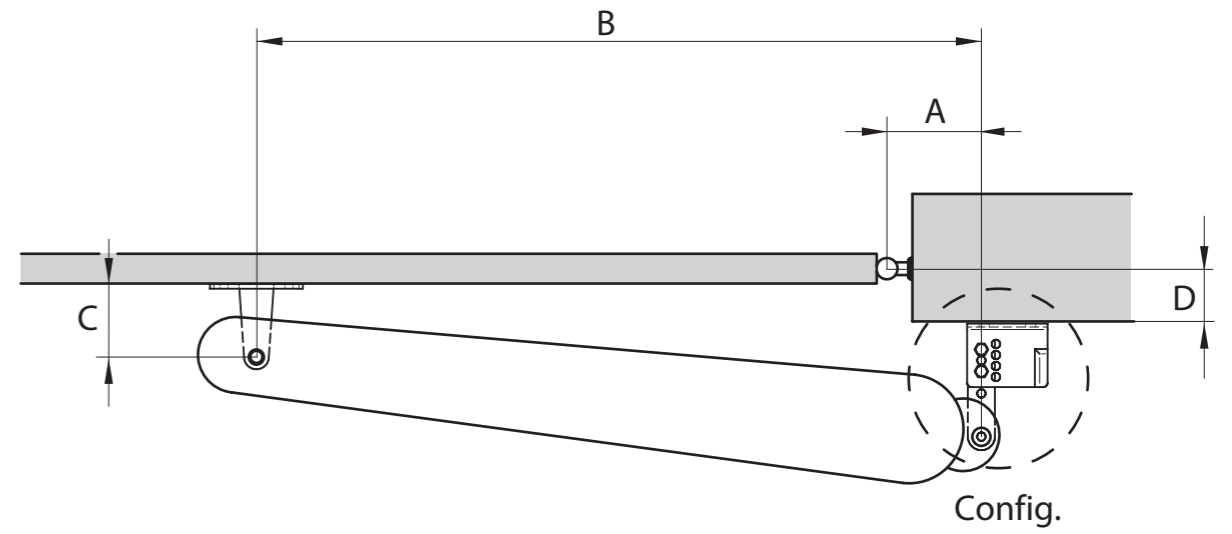


rear



front

Installation dimensions



Art. STING	
Config. 1	Config. 2

STING						
	Config.	A	B	C	D	Note
90°	1	125	720	94	0÷50	
	2	125	715	94	50÷100	
	2	150	715	124	100÷125	
100°	1	160	720	104	0÷25	
	1	170	720	109	25÷50	
110°	1	185	720	99	0	
	2	185	720	99	25	

DEAuser



DEAuser is the app for the **private user** which allows you to control the DEA automation in **close proximity**.

By installing NET-NODE on all devices with NETLINK technology, you can control your gate through your smartphone.

To be used with:



NET-NODE



DEAinstaller



DEAinstaller is the App dedicated to the **professional installer** which allows you to program and manage DEA automations in a simple and intuitive way from your smartphone.

If you use it with NET-NODE you can:

- ✓ Keep a **data backup** of all your installations
- ✓ Easily adjust the **parameters** of your control boards
- ✓ Update the **firmware**
- ✓ Program the **maintenance**
- ✓ Manage or customize the **remotes**
- ✓ Read **technical manuals** or have a look at the **electrical connections**
- ✓ Control the **inputs** and **output** of the control boards
- ✓ **Control** the automation with the App

To be used with:



Art.NET-NODE
Cod.677640

