



Rising Hinges

New RISING HINGES system
for environments with slope.

The Rising Hinges opening system



- *Opening system with inclined doors for sloping passages*
- *For steel or aluminum leaves up to 3 meters*
- *Adjustable leaf inclination*
- *Maximum slope up to 10 ° (~20%)*
- *To be welded or to be fixed versions available*



Gate stop



CODE
300507B

RISING HINGES an innovative hinge system designed and developed for gates with sloping openings.

Thanks to suitably designed levers, the hinges allow an inclined opening of the door. The alignment of the rotation axes of the upper and lower hinges is guaranteed by the ball joints complete with greasers for constant lubrication.



Stops



CODE
300508B

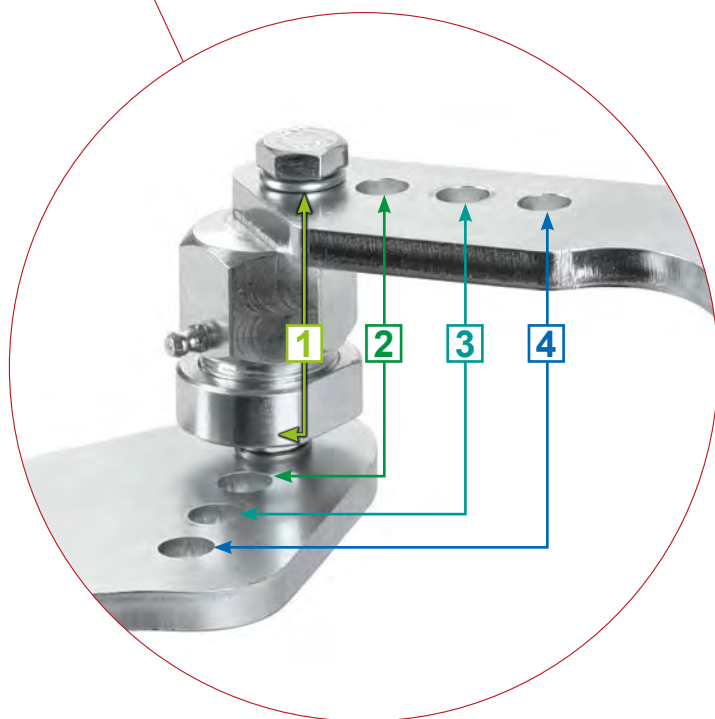
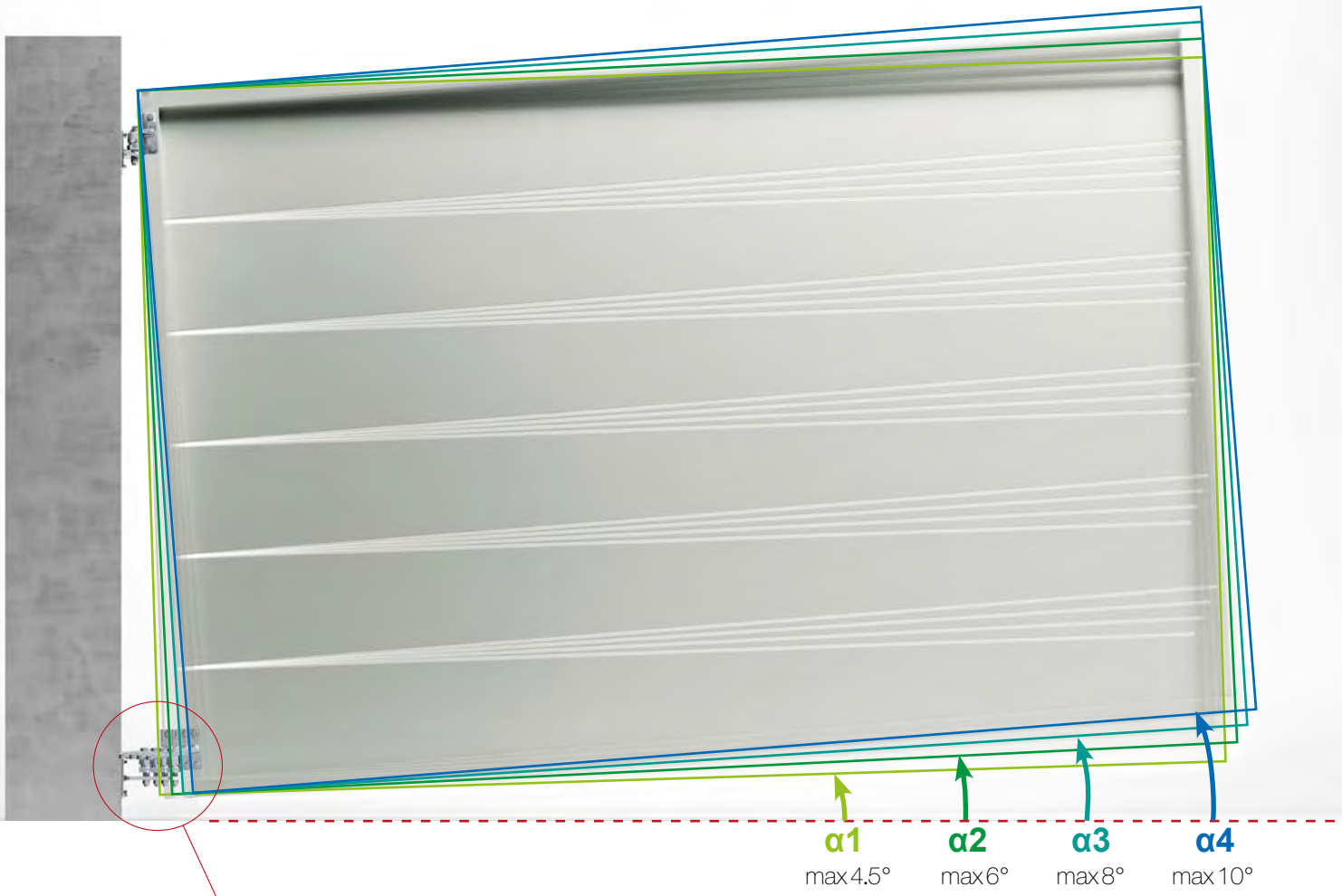
Rising Hinges Kit



CODE
RS-ST
RS-AL
RS-100F



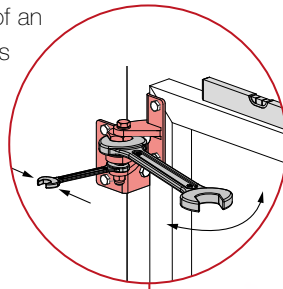
Rising hinges to be fixed



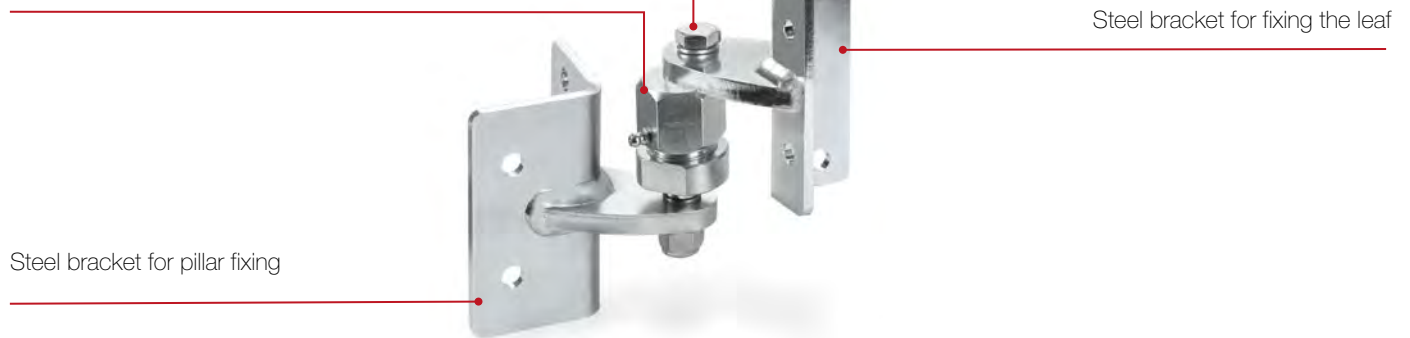
The lower hinge has an adjustment system consisting of 4 holes both in the bracket fixed to the gate and in the bracket fixed to the pillar. Each pair of holes (1, 2, 3, 4) corresponds to an inclination of the door. By adjusting the distance between the two hinges and adjusting the lower hinge, the desired inclination can be obtained.

Upper Rising hinge to be fixed

The leaf bracket is connected to the joint by means of an off-axis eccentric screw; the rotation of the joint allows a fine adjustment of the door, useful for placing it in a horizontal position and aligning it with the pillar.



The ball joint with grease nipple allows the door to tilt during movement

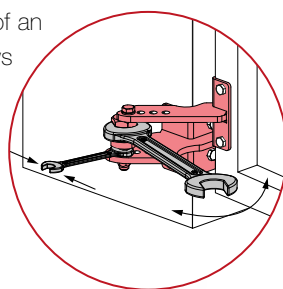


Steel bracket for pillar fixing

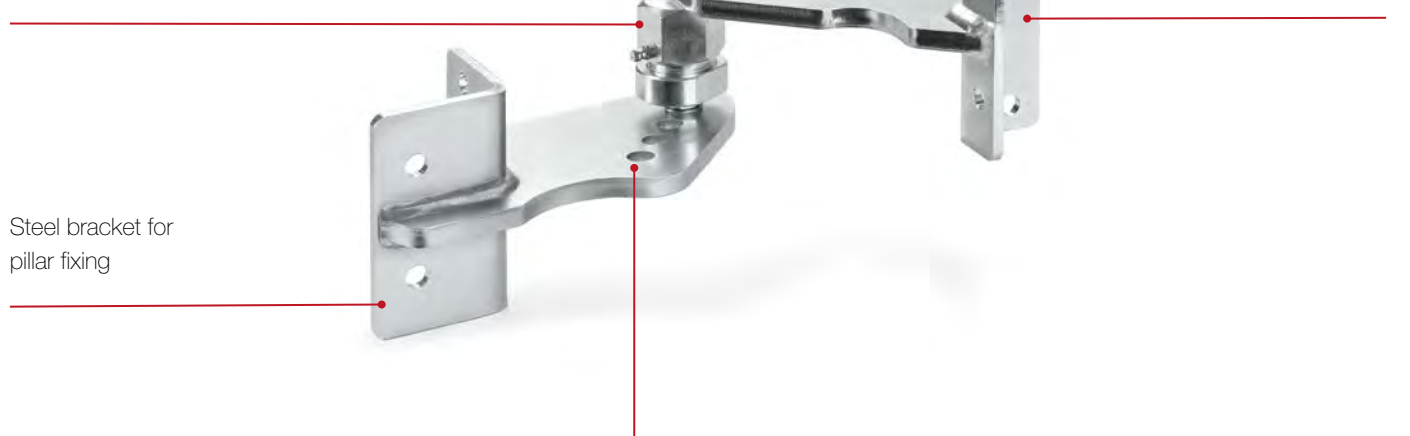
Steel bracket for fixing the leaf

Lower Rising hinge to be fixed

The leaf bracket is connected to the joint by means of an off-axis eccentric screw; the rotation of the joint allows a fine adjustment of the door, useful for placing it in a horizontal position and aligning it with the pillar.



The ball joint with grease nipple allows the door to tilt during movement



Steel bracket for pillar fixing

Steel bracket for fixing the leaf

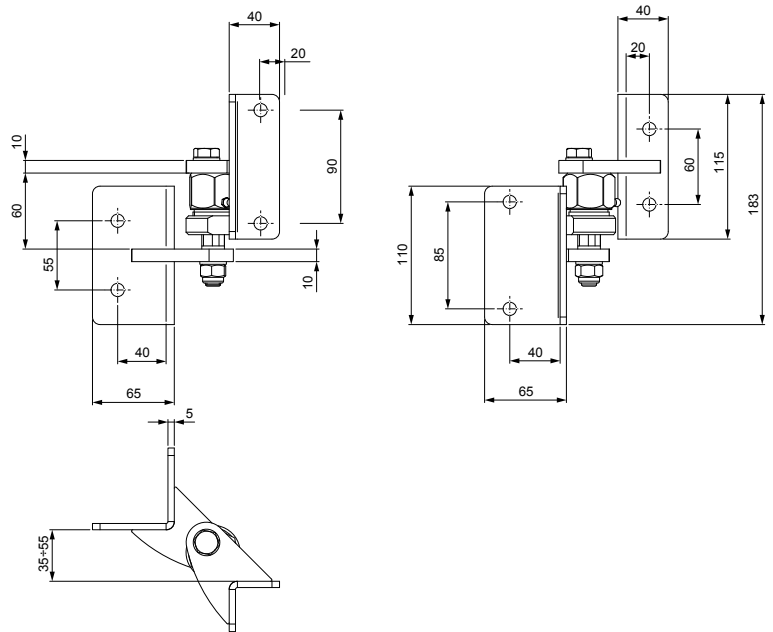
Both brackets have 4 holes; each hole corresponds to a different inclination of the leaf in the open position.

Kit elements

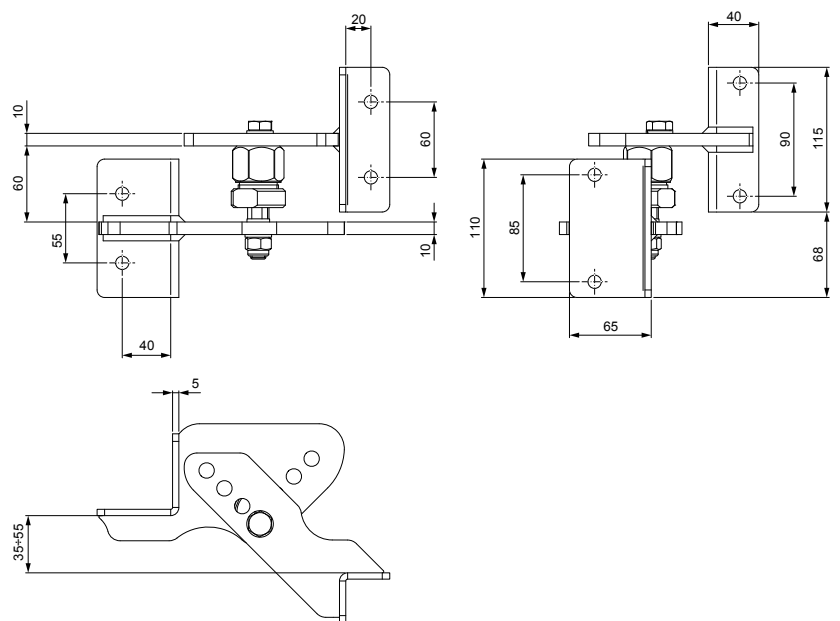
RS-100F

CODE	SIZE	Max leaf weight Kg	Box info	
			Pcs per pack	Kg
RS-100F	one size	150	1 kit	4,6

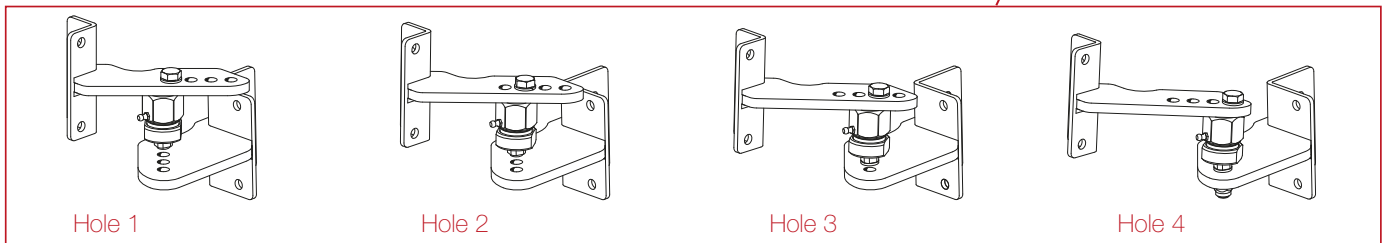
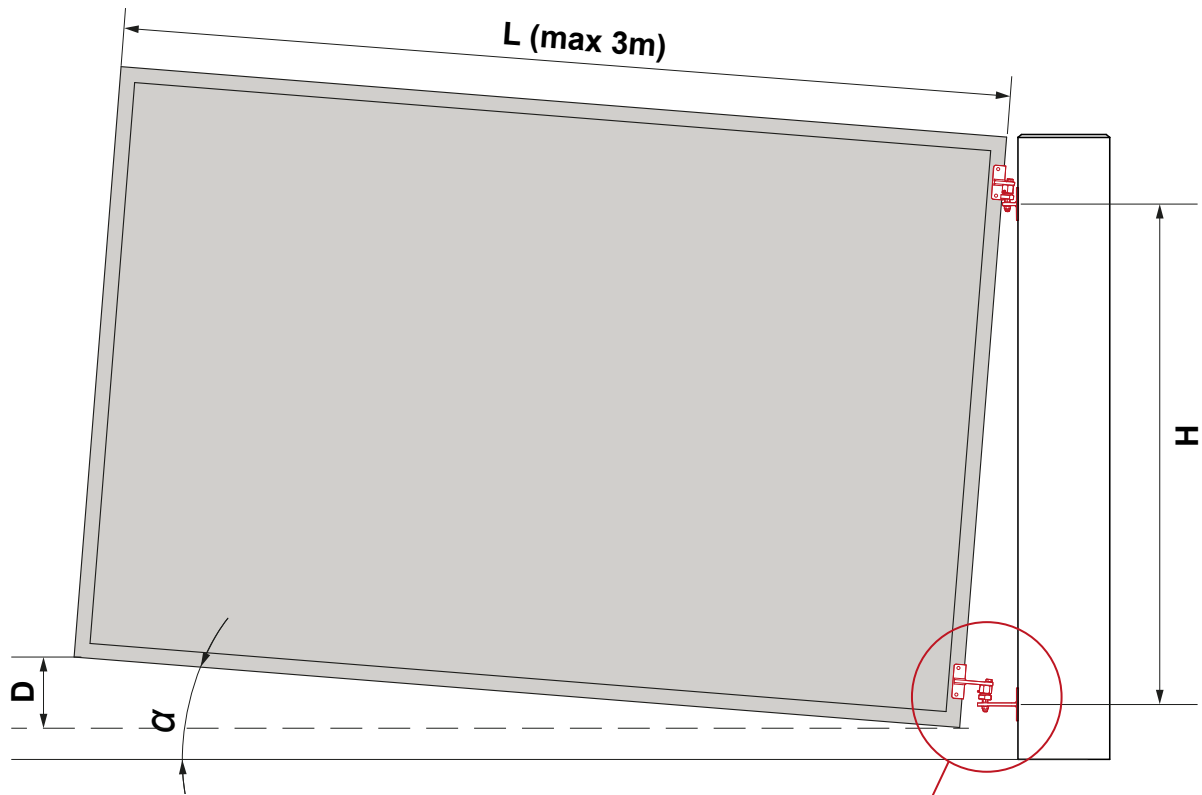
Upper Rising hinge



Lower Rising hinge

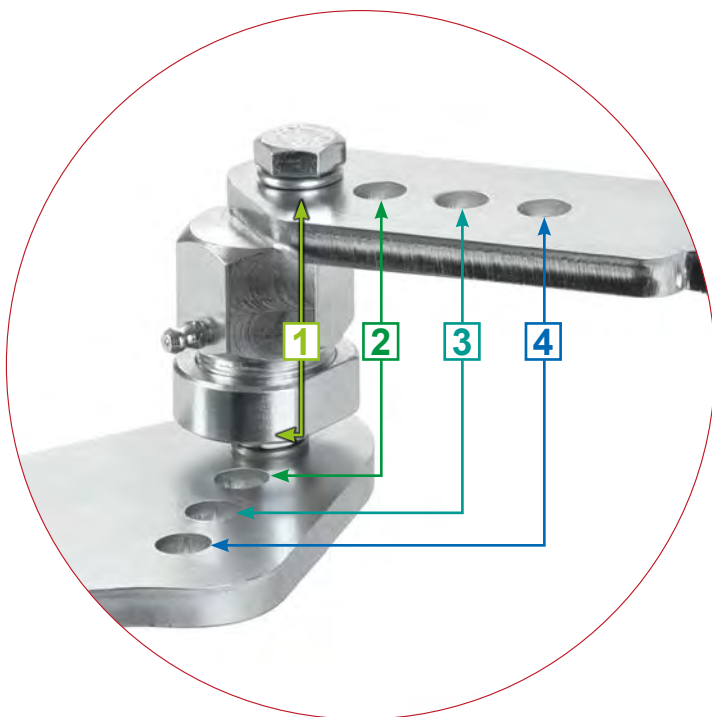
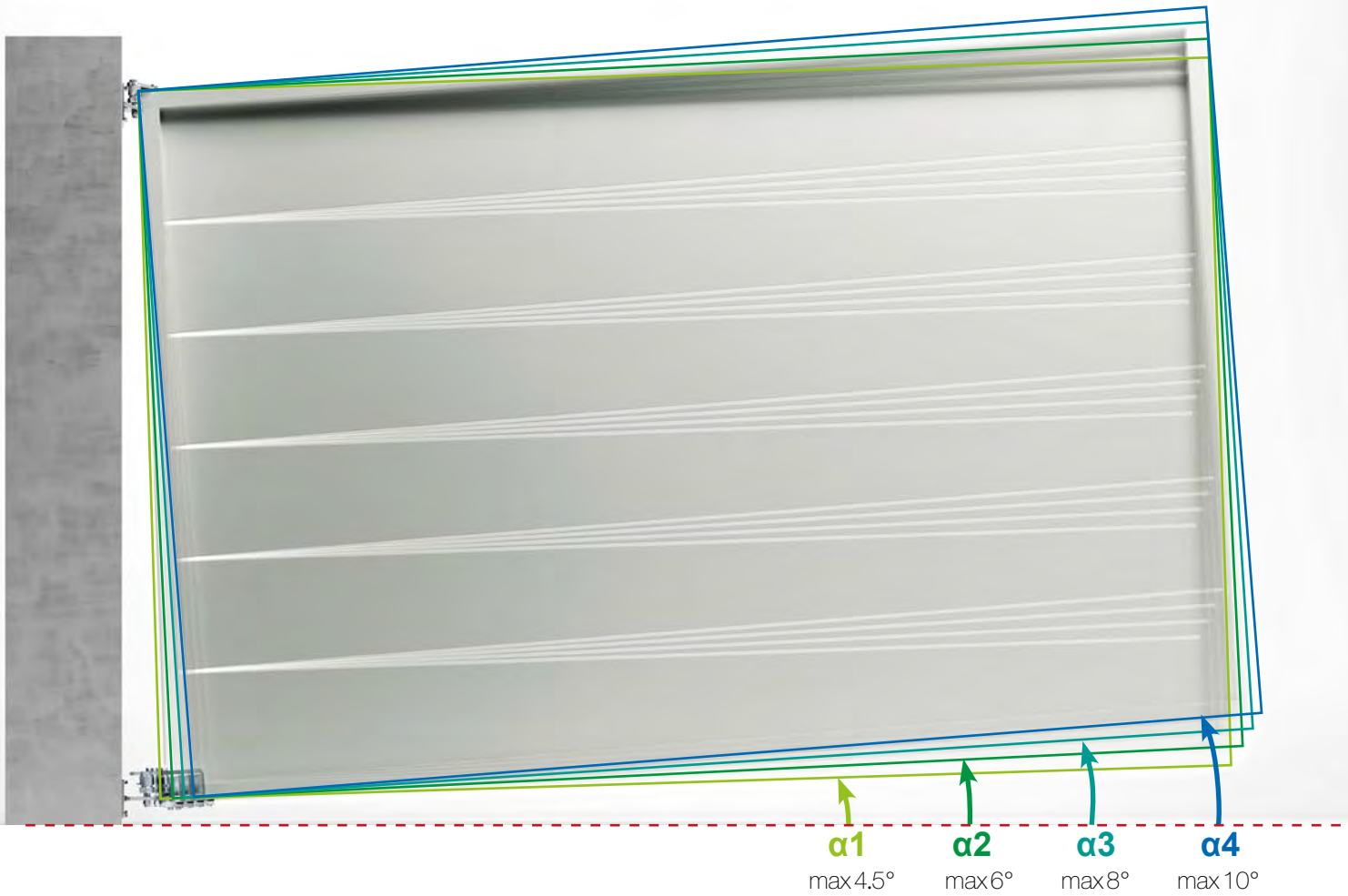


Lower hinge rise set up



H m	Hole	α°	D mm (L=1 m)	D mm (L=2 m)	D mm (L=3 m)
0.8	1	4,5	80	160	240
	2	6	103	206	309
	3	8	150	300	450
	4	10	180	360	540
1.2	1	3	50	100	150
	2	4,5	80	160	240
	3	5,5	100	200	300
	4	7	125	250	375
1.5	1	2,5	45	90	135
	2	3,5	60	120	180
	3	4,5	80	160	240
	4	5,5	100	200	300
1.8	1	2	35	70	105
	2	3	50	100	150
	3	3,5	60	120	180
	4	4,5	80	160	240

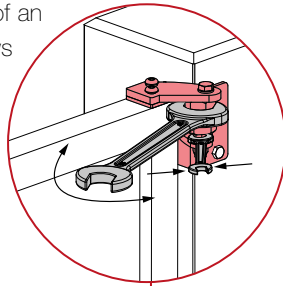
Rising hinges to be welded



The lower hinge has an adjustment system consisting of 4 holes both in the bracket welded to the gate and in the bracket welded to the pillar. Each pair of holes (1, 2, 3, 4) corresponds to an inclination of the door. By adjusting the distance between the two hinges and adjusting the lower hinge, the desired inclination can be obtained.

Upper Rising hinge to be welded

The leaf bracket is connected to the joint by means of an off-axis eccentric screw; the rotation of the joint allows a fine adjustment of the door, useful for placing it in a horizontal position and aligning it with the pillar.



The ball joint with grease nipple allows the door to tilt during movement

Leaf bracket with insert to be welded in steel and aluminum versions.

Steel bracket for pillar fixing

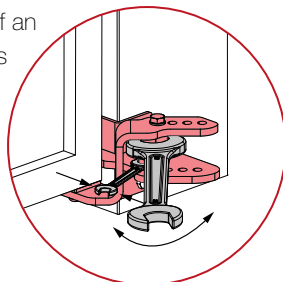
ST



AL

Lower Rising hinge to be welded

The leaf bracket is connected to the joint by means of an off-axis eccentric screw; the rotation of the joint allows a fine adjustment of the door, useful for placing it in a horizontal position and aligning it with the pillar.



The ball joint with grease nipple allows the door to tilt during movement

Leaf bracket with insert to be welded in steel and aluminum versions.

Steel bracket for pillar fixing

ST



AL

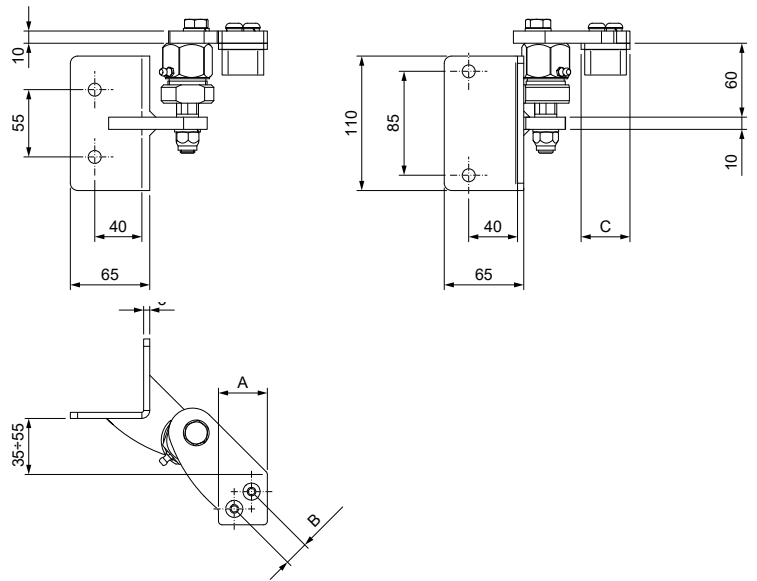
Both brackets have 4 holes; each hole corresponds to a different inclination of the leaf in the open position.

Kit elements

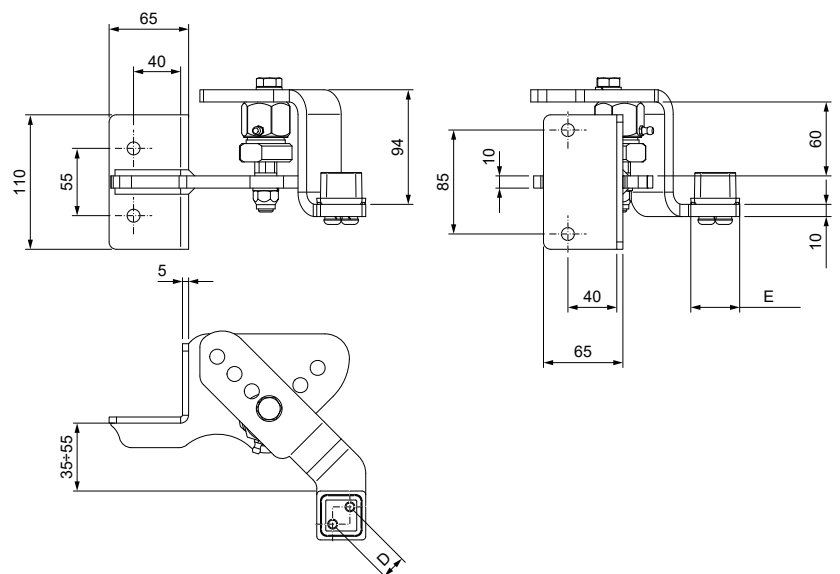
RS-ST / RS-AL

CODE	Size	Insert material	A	B	C	D	E	Max leaf weight Kg	Box info	
									Pcs per pack	Kg
RS-ST140-LH	40x40	Steel	40	20	40	20	40	120	1 kit	5
RS-AL140-LH	40x40	Aluminium	40	20	40	20	40	120	1 kit	4.6
RS-ST150-LH	50x50	Steel	50	30	50	30	50	120	1 kit	5.8
RS-AL150-LH	50x50	Aluminium	50	30	50	30	50	120	1 kit	5.1
RS-ST165-LH	65x65	Steel	65	40	65	40	65	120	1 kit	7.5
RS-AL165-LH	65x65	Aluminium	65	40	65	40	65	120	1 kit	6
RS-ST140-RH	40x40	Steel	40	20	40	20	40	120	1 kit	5
RS-AL140-RH	40x40	Aluminium	40	20	40	20	40	120	1 kit	4.6
RS-ST150-RH	50x50	Steel	50	30	50	30	50	120	1 kit	5.8
RS-AL150-RH	50x50	Aluminium	50	30	50	30	50	120	1 kit	5.1
RS-ST165-RH	65x65	Steel	65	40	65	40	65	120	1 kit	7.5
RS-AL165-RH	65x65	Aluminium	65	40	65	40	65	120	1 kit	6

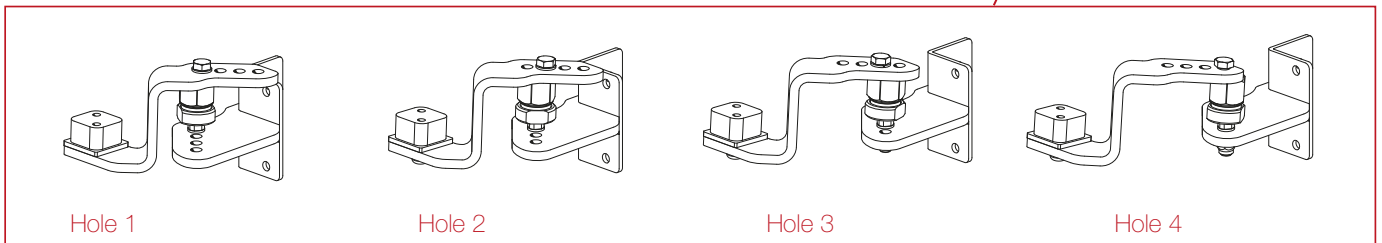
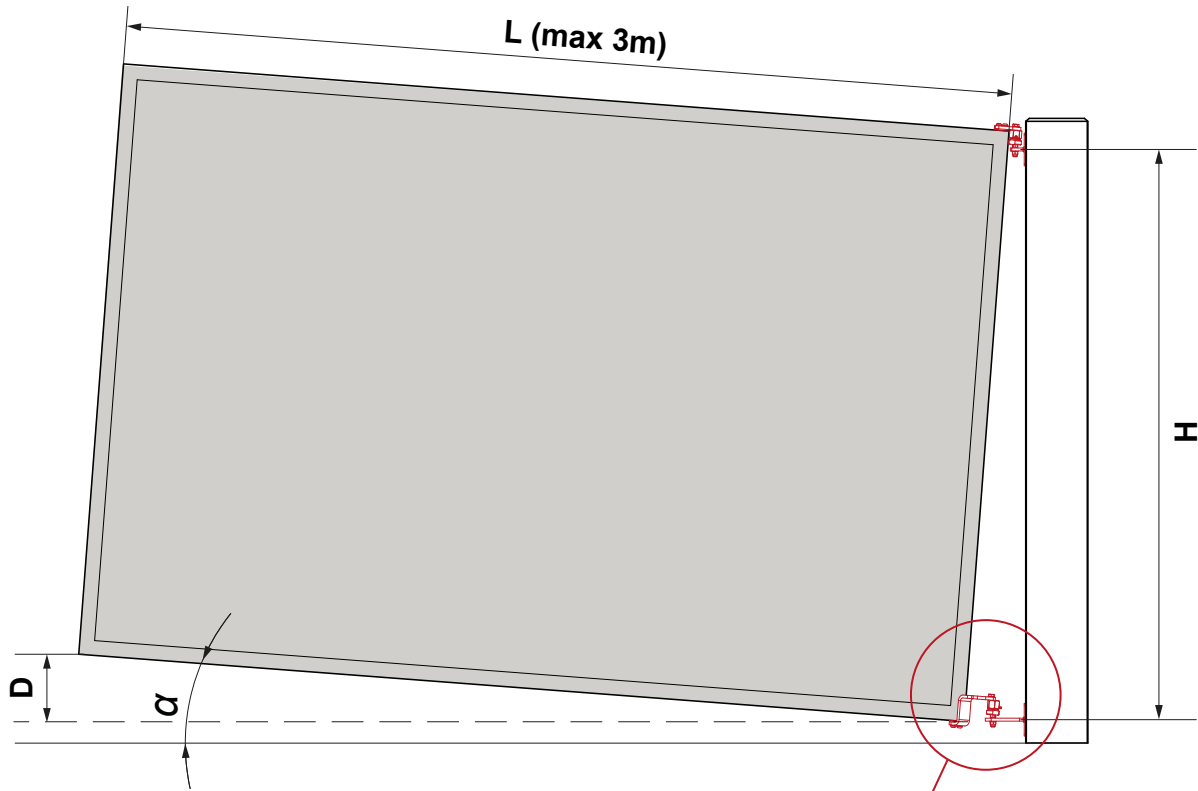
Upper Rising hinge



Lower Rising hinge



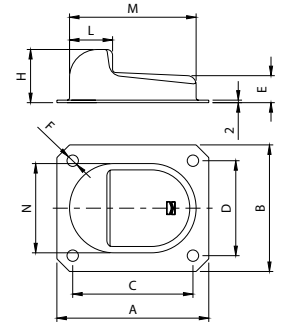
Lower hinge rise set up



H m	Hole	α°	D mm (L=1 m)	D mm (L=2 m)	D mm (L=3 m)
0.8	1	4,5	80	160	240
	2	6	103	206	309
	3	8	150	300	450
	4	10	180	360	540
1.2	1	3	50	100	150
	2	4,5	80	160	240
	3	5,5	100	200	300
	4	7	125	250	375
1.5	1	2,5	45	90	135
	2	3,5	60	120	180
	3	4,5	80	160	240
	4	5,5	100	200	300
1.8	1	2	35	70	105
	2	3	50	100	150
	3	3,5	60	120	180
	4	4,5	80	160	240

300508B

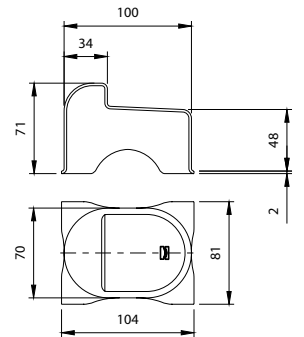
CODE	A	B	C	D	E	F	H	L	M	N	Box info	
											Pcs per pack	Kg
300508B	120	100	95	75	21	Ø9	42	34	100	70	25	6.80



300508

CODE	Box info	
	Pcs per pack	Kg
300508	25	7.9

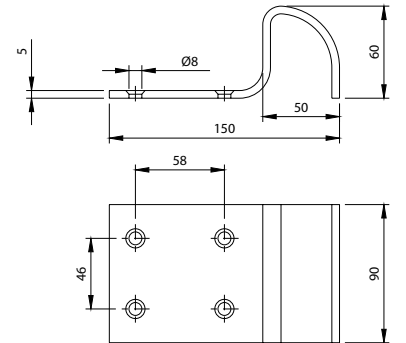
Finishing: Galvanized / Zincato



171

CODE	Box info	
	Pcs per pack	Kg
171	10	8.2

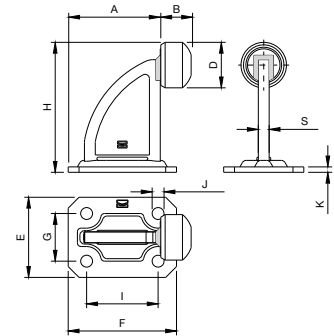
Finishing: Galvanized / Zincato



300507B

CODE	A	B	C	D	E	F	G	H	I	J	K	S	Box info	
													Pcs per pack	Kg
300507B	70	28	92.5	ø37	60	80	40	102	50	ø9	5	8	20	12

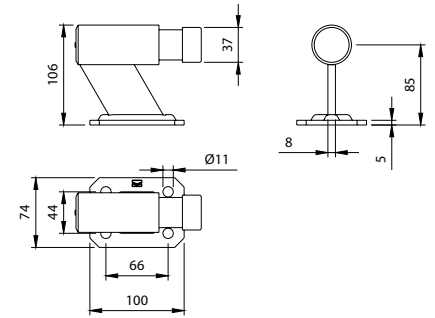
Finishing: Galvanized / Zincato



202F-A

CODE	Box info	
	Pcs per pack	Kg
202F-A	4	5,6

Finishing: Galvanized / Zincato



Gate innovation made in Comunello

 **COMUNELLO GATE**

FRATELLI COMUNELLO S.P.A.

Via Cassola, 64 - C.P. 79

36027 Rosà, Vicenza, Italy

Tel. +39 0424 585111 Fax +39 0424 533417

info@comunello.it www.comunello.com