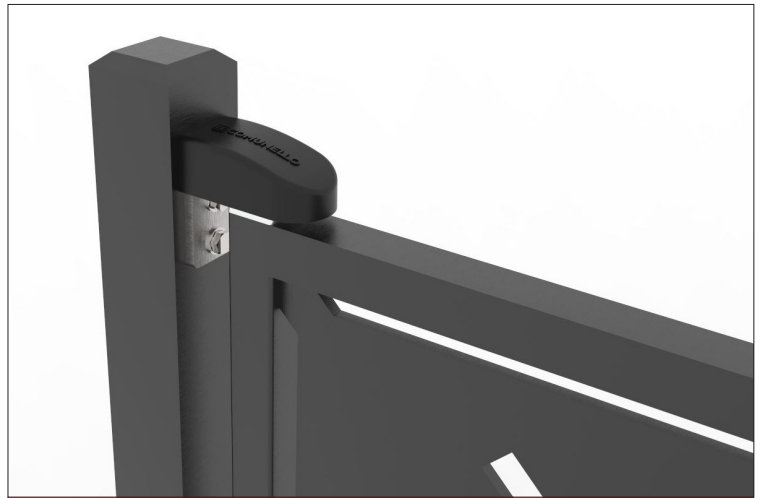
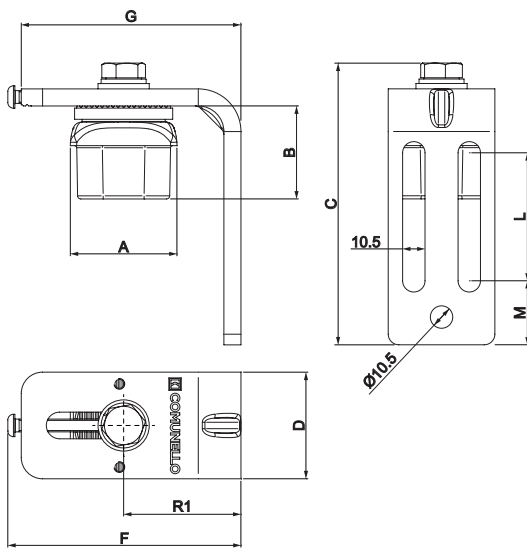


85L Top Hinge
for Steel Gates



85L-40-ST	40mm top hinge for steel
85L-50-ST	50mm top hinge for steel
85L-65-ST	65mm top hinge for steel
83-CR-4050	Cover for 40 & 50mm hinges
83-CR-65	Cover for 65mm hinge

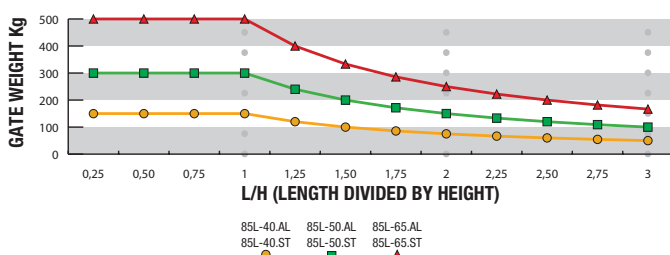


USE: Adjustable hinge for swing gates with square tubular.
 TYPE: Upper hinge with bearing
 FIXING: To fixing to the pillar. The support enables hinge adjustment even after installation.
 MATERIAL: Electrogalvanised steel.
 RECYCLING: Disposal as ferrous material in accordance with the current laws in the country of installation.
 PARTS SUBJECT TO WEAR: Bearing.
 IMPORTANT: The manufacturer reserves the right to modify the characteristics of the product as required without notice. The manufacturer declines any liability for even partial modifications to the product, and the declared performance values are valid only if the installation procedures are carried out by qualified personnel.

Art.	Code	A mm	B mm	C mm	D mm	R1	F mm	G mm	L mm	M mm	Kg
85L-40.ST	Ø40 10801621 001	40	36	132	50	55-85	109,3	103	60	30	2,094
85L-50.ST	Ø50 10801622 001	50	43,5	132	50	55-85	109,3	103	60	30	2,49
85L-65.ST	Ø65 10801623 001	65	58	150	65	68-100	125	125	70	28	4,45

TECHNICAL CHARACTERISTICS				
	85L-40.ST	85L-50.ST	85L-65.ST	
WEIGHT OF PART	1,047 Kg	1,245 Kg	2,225 Kg	
LOAD-BEARING CAPACITY (P) L/H=1	150 Kg (with bottom hinge 87L-40.ST)	300 Kg (with bottom hinge 87L-50.ST)	500 Kg (with bottom hinge 87L-65.ST)	
MAINTENANCE FREQUENCY				
PRIVATE HOME	BUSINESS	WAREHOUSE	CONDOMINIUM <20 UNITS	CONDOMINIUM > 20 UNITS
1 YEAR *	1 YEAR *	1 YEAR *	6 MONTHS *	6 MONTHS *
Check hinge wear. Check tightening of upper screws. Check fixing of plugs. Check welds and horizontality of sash. *The scheme refers to a normal workplace (not marine or particularly aggressive environments).				

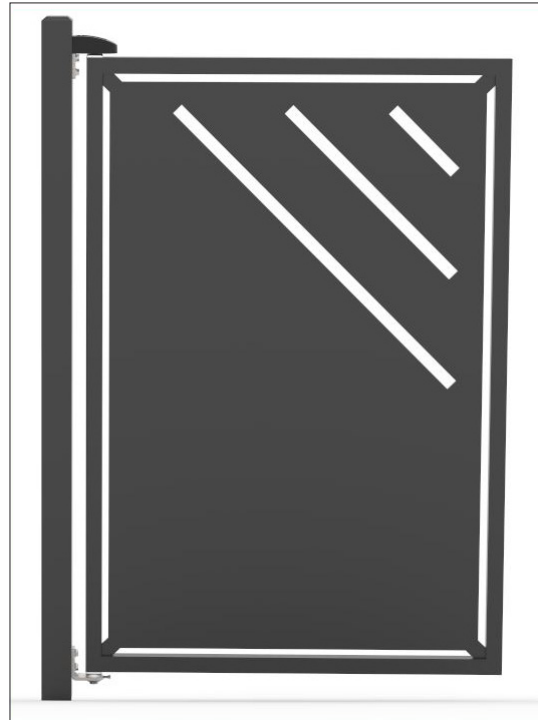
LOAD ACCORDING TO GATE'S DIMENSIONS



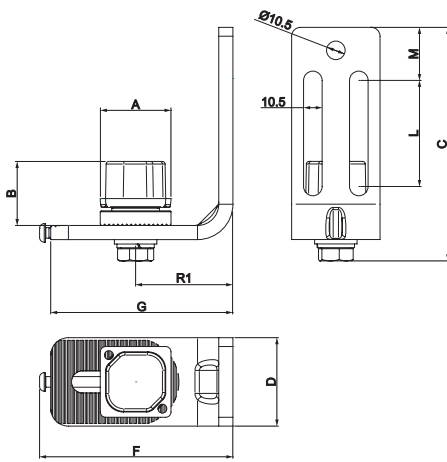
Compatible with:
87L Bottom Hinge
for Steel Gates



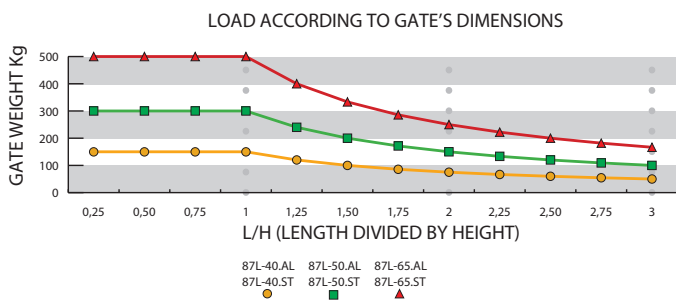
87L Bottom Hinge
for Steel Gates



87L-40-ST	40mm bottom hinge for steel
87L-50-ST	50mm bottom hinge for steel
87L-65-ST	65mm bottom hinge for steel



Art.	Code	A mm	B mm	C mm	D mm	R1	F mm	G mm	L mm	M mm	Kg	
87L-40.ST	10801321 001	40	36	132	50	55-85	109,3	103	60	30	2	1,672
87L-50.ST	10801322 001	50	52	132	50	55-85	109,3	103	60	30	2	2,222
87L-65.ST	10801323 001	65	64	150	65	68-100	134,5	125	70	28	2	4,464



USE: Adjustable hinge for swing gates with square tubular.

TYPE: Upper hinge with bearing

FIXING: To fixing to the pillar. The support enables hinge adjustment even after installation.

MATERIAL: Electrogalvanised steel.

RECYCLING: Disposal as ferrous material in accordance with the current laws in the country of installation.

PARTS SUBJECT TO WEAR: Bearing.

IMPORTANT: The manufacturer reserves the right to modify the characteristics of the product as required without notice. The manufacturer declines any liability for even partial modifications to the product, and the declared performance values are valid only if the installation procedures are carried out by qualified personnel.

TECHNICAL CHARACTERISTICS				
	87L-40.ST	87L-50.ST	87L-65.ST	
WEIGHT OF PART	0,836 Kg	1,111 Kg	2,232 Kg	
LOAD-BEARING CAPACITY (P) L/H=1	150 Kg (with upper hinge 85L-40.ST)	300 Kg (with upper hinge 85L-50.ST)	500 Kg (with upper hinge 85L-65.ST)	
MAINTENANCE FREQUENCY				
PRIVATE HOME	BUSINESS	WAREHOUSE	CONDOMINIUM <20 UNITS	CONDOMINIUM > 20 UNITS
1 YEAR *	1 YEAR *	1 YEAR *	6 MONTHS *	6 MONTHS *
Check hinge wear. Check tightening of upper screws.				
Check fixing of plugs. Check welds and horizontality of sash.				
*The scheme refers to a normal workplace (not marine or particularly aggressive environments).				



Compatible with:
85L Top Hinge
for Steel Gates